

Mass

Converting kilograms to grams.

Name: _____

Let's go shopping!

How much do the vegetables weigh altogether?

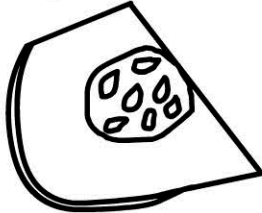
- potatoes _____
- pumpkin _____
- beans _____
- onions _____
- mushrooms _____

How much more than the mushrooms does the chicken weigh ?

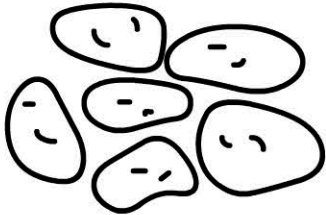
- chicken _____
- mushrooms _____

If I need to bake a chicken half an hour for every kilogram of mass, how long will it take to cook this chicken?

pumpkin

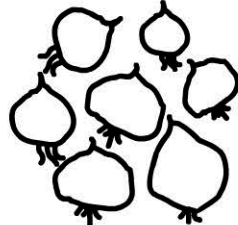


potatoes




1.6 kg = _____ g 2.8 kg = _____ g

onions

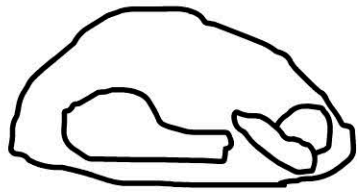


beans

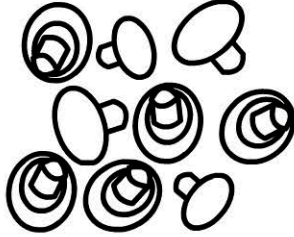


1.4 kg = _____ g 1.2 kg = _____ g

chicken

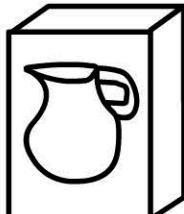


mushrooms




2.5 kg = _____ g 0.850 kg = _____ g

gravy



icecream



0.450 kg = _____ g 0.750 kg = _____ g

There are 1000grams in 1kilogram.