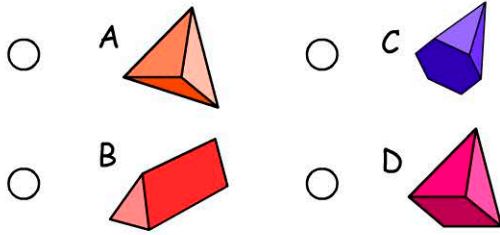


Name:

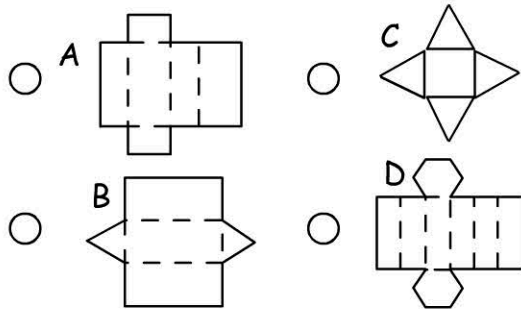
Date:

1. Which object is not a pyramid?

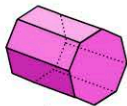


2. How many squares are needed to make a cube?

3. Which net will make a pyramid?



4. Name this object.

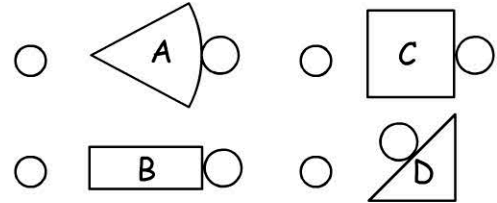


- hexagonal prism  octagonal prism
- pyramid  triangular prism

5. Which object's net comprises of 2 pentagons and five rectangles?

- pentagonal pyramid  pentagonal ellipse
- pyramid  pentagonal prism

6. Which of these nets can be made into a cone?



7. Which object has eight faces?

- hexagonal prism  octagonal prism
- pentagonal prism  heptagonal prism

8. How many corners does an octagonal prism have?

- 9  14
- 12  16

9. How many triangles are needed to make a square pyramid?

10. How many more faces than a cube does this object have?

